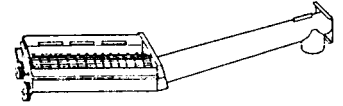


WESTFIELD®

Hoppers Drives Options

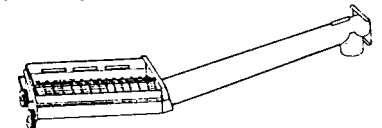
INCLINED HOPPER 8" or 10" diameter (6 foot tube section) shipped with pivot wheels, rubber hopper extension, safety shields, LESS drive, boot and wheel kit. Use with hydraulic or electric drive, or with optional wheel kit for use independent of auger.

#S08 - 6 Hopper	232 lbs.
#S10 - 6 Hopper	279 lbs.



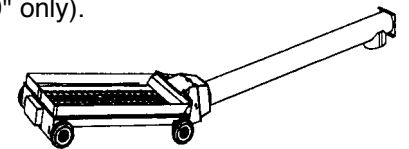
INCLINED HOPPER 8" or 10" diameter with 9' Tube/13" diameter with 10' Tube/shipped with pivot wheels, rubber hopper-extension, safety shields, LESS drive, boot and wheel kit. Use with hydraulic (8" or 10") or electric drive. Optional wheel kit allows use independent of auger. Not for use with pivot system on SWH boot.

#S08 - 9 Hopper (8")	264 lbs.
#S10 - 9 Hopper (10")	333 lbs.
#S13 - 10 Hopper (13")	495 lbs.



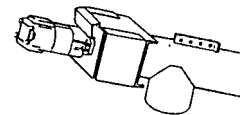
LOW-PROFILE TRANSFER HOPPER with four wheels, rubber hopper extension, safety shield, LESS drive, boot and wheel kit. Use with electric drive or hydraulic drive (10" only).

#S10 - 6 LP Hopper (10" diameter with 6' tube)	475 lbs.
#S10 - 9 LP Hopper (10" diameter with 9' tube)	529 lbs.
#S13 - 10 LP Hopper (13" diameter with 10' tube)	639 lbs.



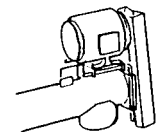
HYDRAULIC DRIVE fits 8" and 10" hoppers. Shipped with hydraulic motor (Char-Lynn 2000 series or equivalent), mounting bracket, drive connector, less hose and hose connectors.

#H08 - 2 (8")	42 lbs.
#H10 - 2 (10")	47 lbs.



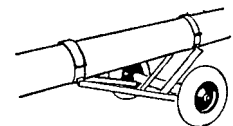
ELECTRIC DRIVE fits all style hoppers. Shipped with adjustable motor mount, large double pulley on 8" and 10" models, triple pulley on 13" models, belts, shield, less motor and motor pulley.

#H08 - 3 (8")	37 lbs.
#H10 - 3 (10")	43 lbs.
#H13 - 3 (13")	70 lbs.



WHEEL KIT fits all style hoppers. Shipped with 4.00 x 8 wheels/tires and adjustable carriage. Allows use of hoppers independent of auger when equipped with hydraulic or electric drive.

#H08 - 4 (8")	48 lbs.
#H10 - 4 (10")	50 lbs.
#H13 - 4 (13")	72 lbs.



HOPPER TARP (optional) hardware included.

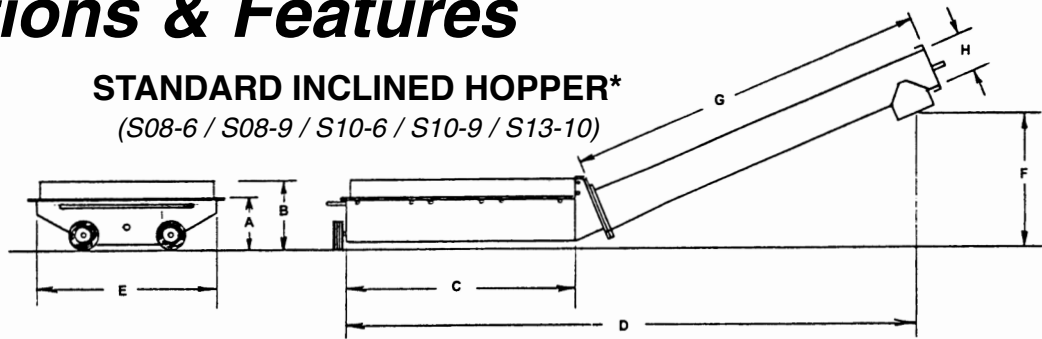
#A160 fits S08/S10 and MK80/100 standard hoppers	6 lbs.
#A167 fits S13 and MK130 standard hoppers	7 lbs.
#A184 fits MK100/130 low-profile hoppers	9 lbs.



Specifications & Features

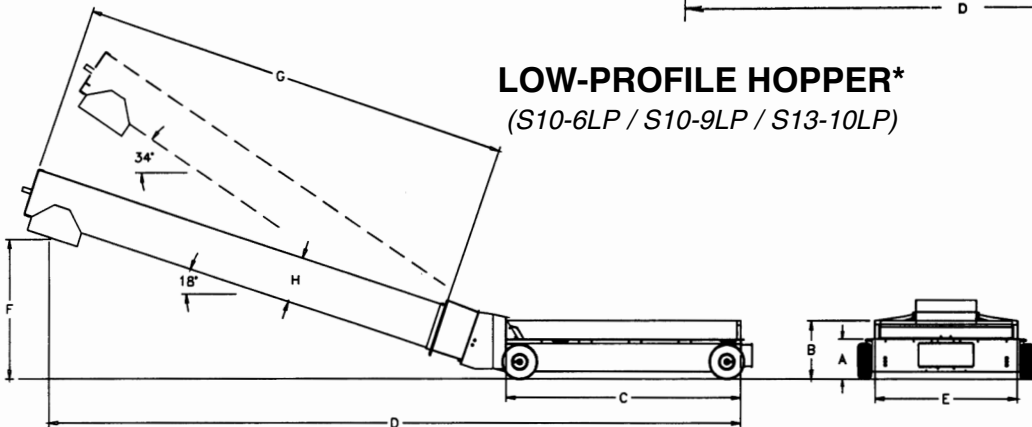
STANDARD INCLINED HOPPER*

(S08-6 / S08-9 / S10-6 / S10-9 / S13-10)



LOW-PROFILE HOPPER*

(S10-6LP / S10-9LP / S13-10LP)



*CORN SCREEN - Is available by special order, factory installed. Screen is up to 4 feet long and is shipped with cover.

STANDARD INCLINED HOPPER & LOW-PROFILE TRANSFER HOPPER

		HOPPER HEIGHT less rubber, with wheels	HOPPER HEIGHT with rubber and wheels	HOPPER LENGTH	TOTAL LENGTH to center of spout	HOPPER WIDTH	SPOUT HEIGHT	TUBE LENGTH	TUBE DIAMETER	HYDRAULIC REQUIREMENTS	ELECTRIC HORSEPOWER REQUIREMENTS
		A	B	C	D	E	F	G	H		
STANDARD	S08-6	10 ³ / ₄ "	14 ¹ / ₂ "	48"	116"	32"	26"	6'	8"	8-10 GPM 1500 PSI	3 - 5 HP
	S08-9	10 ³ / ₄ "	14 ¹ / ₂ "	48"	148"	32"	40 ¹ / ₂ "	9'	8"		
	S10-6	12 ¹ / ₄ "	16"	48"	116"	32"	26 ¹ / ₂ "	6'	10"	10-12 GPM 1500 PSI	5 - 7 ¹ / ₂ " HP
	S10-9	12 ¹ / ₄ "	16"	48"	148"	32"	41 ¹ / ₂ "	9'	10"		
	S13-10	14 ¹ / ₂ "	18 ¹ / ₄ "	60"	158"	40"	43"	10'	12 ³ / ₄ "	N/A	10-15 HP
LOW PROFILE	S10-6 LP	10 ¹ / ₂ "	14 ¹ / ₄ "	63"	18° = 146" 34° = 139"	40"	18° = 24" 34° = 43"	6'	10"	10-12 GPM 1500 PSI	5 - 7 ¹ / ₂ " HP
	S10-9 LP	10 ¹ / ₂ "	14 ¹ / ₄ "	63"	18° = 180" 34° = 169"	40"	18° = 35" 34° = 63"	9'	10"		
	S13-10 LP	10 ¹ / ₂ "	14 ¹ / ₄ "	63"	18° = 192" 34° = 180"	40"	18° = 37" 34° = 68"	10'	12 ³ / ₄ "	NA	10-15 HP

Approximate electric motor horsepower requirements under normal conditions. When augering full tube of high moist grain, additional horsepower may be needed.

WESTFIELD®

1-866-467-7207

www.grainaugers.com